

DATA SHEET

5 FRAME PLUNGER PUMPS



Stainless Steel Models

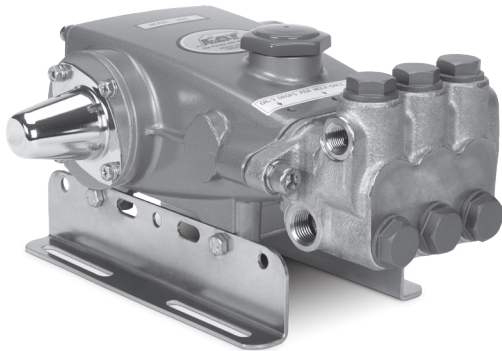
311, 341, 351

Stainless Steel Flushed Models

311C, 341C, 351C

Nickel Aluminum Bronze Models

317, 347, 357



Model 311 Shown
(Shaft protector and mounting rails sold separately)

FEATURES

- Triplex design offers high efficiency and low pulsation.
- Durable high pressure seals are lubricated and cooled by pumped liquid.
- Pre-set Lo-Pressure Seals provide secondary protection against external leaks and require no packing adjustment.
- Special flushed inlet manifold for models 311C, 341C and 351C permits external flush for added cooling with high temperature liquids and lubrication with low lubricity liquids.
- Standard NBR seals with alternative options for temperature and chemical compatibility.

COMMON

SPECIFICATIONS	U.S.	Metric
Max. Liquid Temperature (NBR)	160° F	71° C
Alternative seals available for high temp up to 200° F		
Bore	0.787"	20 mm
Crankcase Capacity	18 oz.	0.53 l
Inlet Ports (2)	1/2" NPT(F)	1/2" NPT(F)
Flushing Ports (2) (311C - 351C)	1/8" NPT(F)	1/8" NPT(F)
Discharge Ports (2)	3/8" NPT(F)	3/8" NPT(F)
Shaft Diameter	0.787"	20 mm
Weight	19.8 lbs.	9 kg
Dimensions	11.81 x 10.00 x 5.24"	300 x 254 x 133 mm

SPECIFICATIONS

U.S. Measure

Metric Measure

311, 311C, 317

Flow	4.0 gpm	15 lpm
Pressure Range	100 to 2200 psi	6.9 to 152 bar
Pump RPM*	950 rpm	950 rpm
Inlet Pressure Range	-5 to 60 psi	-0.35 to 4.1 bar
Stroke	0.709"	18 mm

ALTERNATIVE SPECIFICATIONS 311, 311C

Flow	5.0 gpm	19 lpm
Pressure Range	100 to 1500 psi	6.9 to 103 bar
Pump RPM*	1190 rpm	1190 rpm

ALTERNATIVE SPECIFICATIONS 317

Flow	5.0 gpm	19 lpm
Pressure Range	100 to 2000 psi	6.9 to 138 bar
Pump RPM*	1190 rpm	1190 rpm

341, 341C, 347 Direct Drive

Flow	4.0 gpm	15 lpm
Pressure Range	100 to 1800 psi	6.9 to 124 bar
Pump RPM*	1725 rpm	1725 rpm
Inlet Pressure Range	Flooded to 60 psi	Flooded to 4.1 bar
Stroke	0.394"	10 mm

351, 351C, 357 Direct Drive

Flow	5.0 gpm	19 lpm
Pressure Range	100 to 1500 psi	6.9 to 103 bar
Pump RPM*	1725 rpm	1725 rpm
Inlet Pressure Range	Flooded to 60 psi	Flooded to 4.1 bar
Stroke	0.472"	12 mm

*Pump minimum is 100 RPM

ALTERNATIVE SEAL CONFIGURATION

MATERIAL	SUFFIX CODE	MAXIMUM TEMPERATURE
NBR	—	160° F (71° C)
FPM	.0110	180° F (82° C)
EPDM	.0220	160° F (71° C)
IPFE	.0770	200° F (93° C)
HT	.3000	180° F (82° C)
STHT	.3400	190° F (88° C)

See Reference Document 99TCH002 for inlet conditions and RPM at high temperature.

$$\text{DETERMINING THE PUMP R.P.M.} \quad \frac{\text{Rated gpm}}{\text{Rated rpm}} = \frac{\text{"Desired" gpm}}{\text{"Desired" rpm}}$$

$$\text{DETERMINING THE REQUIRED H.P.} \quad \frac{\text{Hp (Electric Brake)}}{1460} = \frac{\text{gpm x psi}}{1460}$$

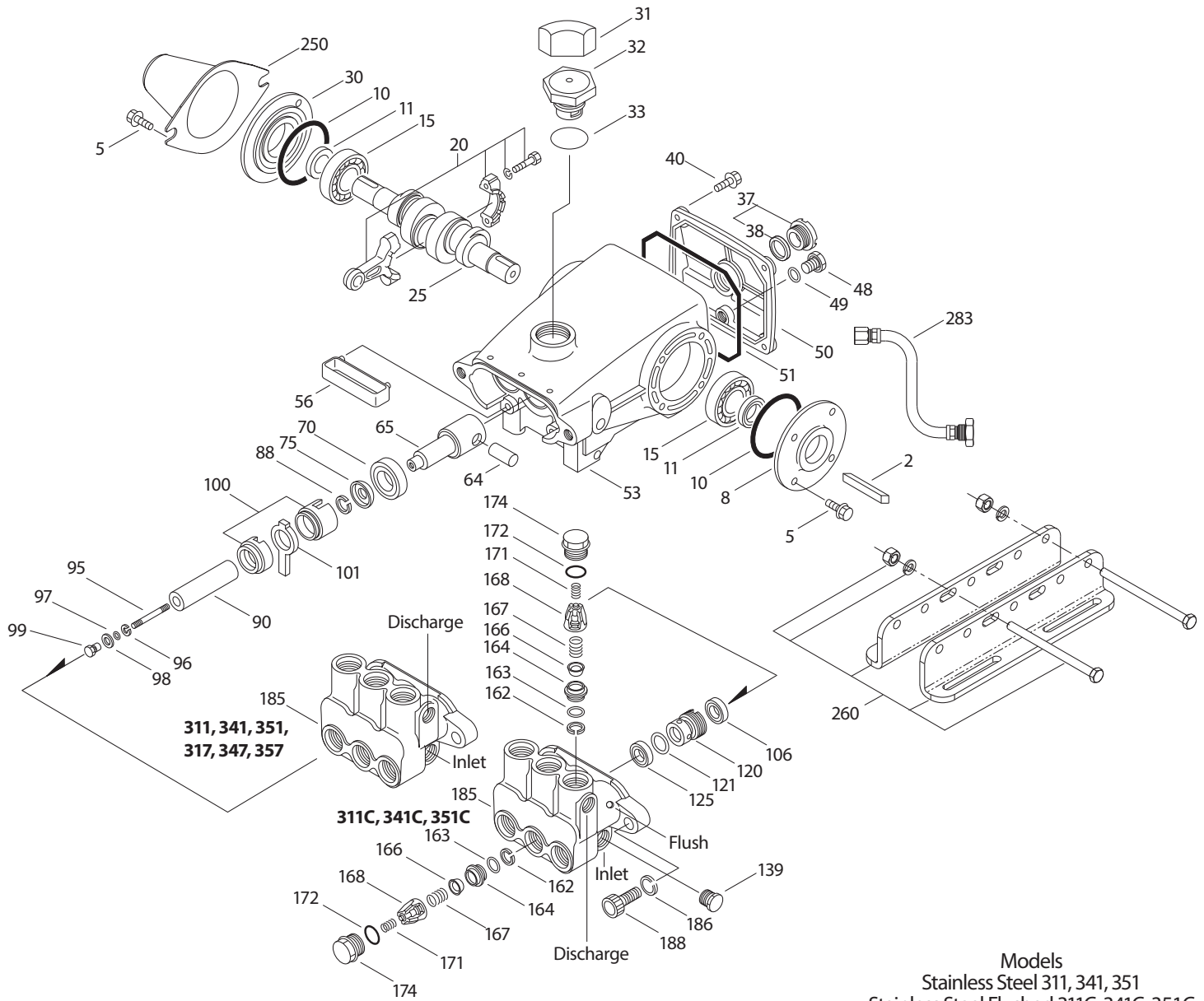
$$\text{DETERMINING MOTOR PULLEY SIZE} \quad \frac{\text{Motor Pulley O.D.}}{\text{Pump rpm}} = \frac{\text{Pump Pulley O.D.}}{\text{Motor rpm}}$$

Refer to pump **Service Manual** for repair procedure and additional technical information.

PARTS LIST

ITEM	PART NUMBER	MATL	PART NUMBER	MATL	DESCRIPTION	QTY
	311, 311C, 341, 341C, 351, 351C		317, 347, 357			
2	30057	STL	30057	STL	Key (M6x6x25)	1
5	92538	S	92538	S	Screw, Sems HHC (M6x16)	8
8	43344	AL	43344	AL	Cover, Bearing	1/2
10	43343	NBR	43343	NBR	O-Ring, Bearing Cover - 70D	2
11	43222	NBR	43222	NBR	Seal, Oil, Crankshaft - (311, 311C, 317, 351, 351C, 357) (341, 341C, 347)	2/1
15	14480	STL	14480	STL	Bearing, Ball	2
20	45883	HS	45883	HS	Rod, Connecting Assy [09/05]	3
25	43342	FCM	43342	FCM	Crankshaft, Dual End - 311, 311C, 317	1
	44945	FCM	44945	FCM	Crankshaft, Single End - 341, 341C, 347	1
	43838	FCM	43838	FCM	Crankshaft, Dual End - 351, 351C, 357	1
30	44949	AL	44949	AL	Cover, Blind Shaft - 341, 341C	1
31	828710	—	828710	—	Protector, Oil Cap w/Foam Gasket	1
32	43211	ABS	43211	ABS	Cap, Oil Filler	1
33	14177	NBR	14177	NBR	O-Ring, Filler Cap - 70D	1
37	92241	PC	92241	PC	Gauge, Oil, Bubble w/Gasket	1
38	44428	NBR	44428	NBR	Gasket, Flat, Oil Gauge - 80D	1
40	92542	S	92542	S	Screw, Sems HHC (M6x20)	4
48	25625	STCP	25625	STCP	Plug, Drain (1/4"x19 BSP)	1
49	23170	NBR	23170	NBR	O-Ring, Drain Plug - 70D	1
50	48772	AL	48772	AL	Cover, Rear [10/01] (See Tech Bulletin 090)	1
51	48773	NBR	48773	NBR	O-Ring, Rear Cover [10/01] (See Tech Bulletin 090)	1
53	48769	AL	48769	AL	Crankcase [05/02] (See Tech Bulletin 090)	1
56	43355	POP	43355	POP	Pan, Oil	1
64	43351	CM	43351	CM	Pin, Crosshead	3
65	45256	SSZZ	45256	SSZZ	Rod, Plunger	3
70	43228	NBR	43228	NBR	Seal, Oil, Crankcase	3
75	43328	S	43328	S	Slinger, Barrier	3
88	45697	S	45697	S	Washer, Keyhole (M18x10)	3
90	43367	CC	43367	CC	Plunger (M20x72)	3
95	89653	SS	89653	SS	Stud, Plunger Retainer (M6x58)	3
96	43235	PTFE	43235	PTFE	Back-up-Ring, Plunger Retainer	3
97	17399	NBR	17399	NBR	O-Ring, Plunger Retainer - 80D	3
	14160	FPM	14160	FPM	O-Ring, Plunger Retainer - 80D	3
◆	46204	EPDM	◆ 46204	EPDM	O-Ring, Plunger Retainer - 70D	3
	701715	IPFE	701715	IPFE	O-Ring, Plunger Retainer	3
98	44041	SS	44041	SS	Gasket	3
99	44031	SS	44031	SS	Retainer, Plunger	3
100	45688	PVDF	45688	PVDF	Retainer, Seal 2-PC [04/06] (See Tech Bulletin 105)	3
101	43302	—	43302	—	Wick, Long Tab	3
106	44127	NBR	44127	NBR	Seal, LPS w/SS-Spg	3
	45153	FPM	45153	FPM	Seal, LPS w/SS-Spg	3
◆	48429	EPDM	◆ 48429	EPDM	Seal, LPS w/SS-Spg	3
	701763	SFTA	701763	SFTA	Seal, LPS w/NIH-Spg	3
120	45680	SS	45680	SS	Case, Seal	3
121	14200	NBR	14200	NBR	O-Ring, Seal Case - 70D	3
	11719	FPM	11719	FPM	O-Ring, Seal Case	3
◆	48907	EPDM	◆ 48907	EPDM	O-Ring, Seal Case	3
	701716	IPFE	701716	IPFE	O-Ring, Seal Case	3
125	44649	SNG	44649	SNG	Seal, HPS w/SS	3
	44936	FPM	44936	FPM	Seal, HPS w/SS	3
	46667	HT	46667	HT	Seal, HPS "Hi-Temp", 2-Pc w/S-Support	3
	701764	SFTA	701764	SFTA	Seal, HPS w/NIH-Spg	3
139	45156	SS	44563	NAB	Plug, Inlet [1/2" NPT(M)]	1
162	48361	D	48361	D	Back-up-Ring, Seat	6
163	43358	NBR	43358	NBR	O-Ring, Seat - 70D	6
	44938	FPM	44938	FPM	O-Ring, Seat - 70D	6
◆	48908	EPDM	◆ 48908	EPDM	O-Ring, Seat	6
	701717	IPFE	701717	IPFE	O-Ring, Seat	6
164	44128	SS	44128	SS	Seat	6
166	44057	SS	44057	SS	Valve	6
167	44056	SS	44056	SS	Spring, Valve	6
168	44565	PVDF	44565	PVDF	Retainer, Valve Spring	6
171	44832	S	44832	S	Spring, Coil	6
172	17615	NBR	17615	NBR	O-Ring, Valve Plug - 75D	6
	15855	FPM	15855	FPM	O-Ring, Valve Plug - 70D	6
◆	48431	EPDM	◆ 48431	EPDM	O-Ring, Valve Plug - 75D	6
	701718	IPFE	701718	IPFE	O-Ring, Valve Plug	6
174	49296	SS	44833	NAB	Plug, Valve [05/06]	6
185	45151	SS	44124	NAB	Manifold Head (See Tech Bulletin 079 - NAB Only)	1
	49583	SS	—	—	Manifold Head-Flushed (311C, 341C, 351C)	1
186	15847	S	15847	S	Lockwasher (M10)	2
188	87950	S	87950	S	Screw HSH (M10x35) [01/04]	2
250	118672	STCP	118672	STCP	Protector, Shaft	1
255	30243	STZP	30243	STZP	Mount, Direct (Belt Drive Only)	1
260	30611	STZP	30611	STZP	Mount, Assy Rail - B (Belt Drive Only)	1
265	30659	—	30659	—	Mount, Assy (30611, 30633, 118672) (Belt Drive Only)	1
270	30633	STL	30633	STL	Assy, Pulley & Key (30058, 30057) (Belt Drive Only)	1
275	30944	STL	30944	STL	Assy, Hub & Key (M20 w/M6 Keyway) (30945, 30057) (Belt Drive Only)	1
283	34334	—	34334	—	Kit, Oil Drain (3/8"x24") (See Individual Data Sheet)	1
299	812207	SS	814559	NAB	Head, Complete	1
	818444	SS	—	—	Head, Complete-Flushed (311C, 341C, 351C)	1

EXPLODED VIEW



Models
 Stainless Steel 311, 341, 351
 Stainless Steel Flushed 311C, 341C, 351C
 Nickel Aluminum Bronze 317, 347, 357
 January 2020

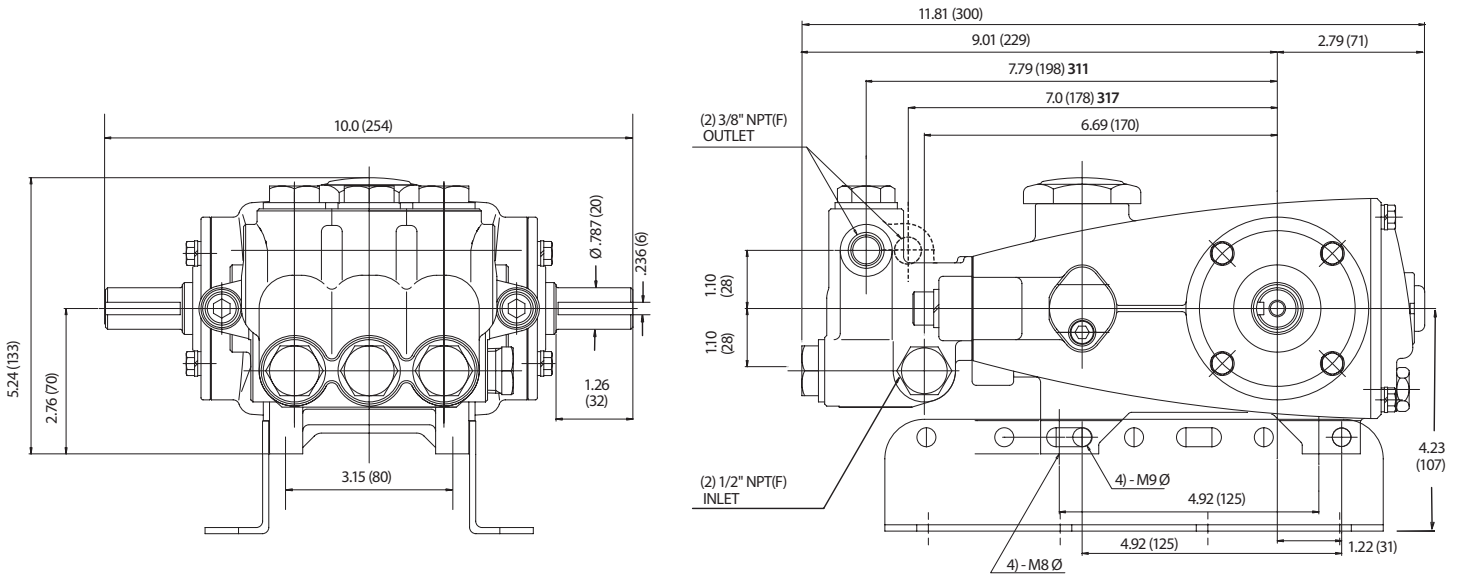
ITEM	PART NUMBER	MATL	PART NUMBER	MATL	DESCRIPTION	QTY
	311, 311C, 341, 341C, 351, 351C		317, 347, 357			
300	34153	NBR	34153	NBR	Kit, Seal (Incls: 97,101,106,121,125) Standard	1
	34155	FPM	34155	FPM	Kit, Seal (Incls: 97,101,106,121,125) .0110	1
	33623	HT	33623	HT	Kit, Seal, "Hi-Temp" (Incls: 97,101,106,121,125) .3000	1
	◆ 31163	EPDM*	◆ 31163	EPDM*	Kit, Seal (Incls: 97,101,106,121,125) .0220	1
	76623	IPFE*	76623	IPFE*	Kit, Seal (Incls: 97,101,106,121,125) .0770	1
310	31152	NBR	31152	NBR	Kit, Valve pre-assembled (Incls: 162-164,166-168,171,172) Standard, .3000	2
	34152	FPM	34152	FPM	Kit, Valve pre-assembled (Incls: 162-164,166-168,171,172) .0110	2
	◆ 76148	EPDM	◆ 76148	EPDM	Kit, Valve pre-assembled (Incls: 162-164,166-168,171,172) .0220	2
	76821	IPFE	76821	IPFE	Kit, Valve pre-assembled (Incls: 162-164,166-168,171,172) .0770	2
350	30696	STZP	30696	STZP	Plier, Reverse	1
351	33004	STZP	33004	STZP	Socket, Seal Case (1/2" Drive)	1
—	6107	—	6107	—	Oil, Bottle (21 oz.) ISO 68 Hydraulic (Fill to specified crankcase capacity prior to start-up)	1
—	6119	—	—	—	Lubricant, Antiseize (2 oz.) (See Tech Bulletin 095)	1

Bold print part numbers are unique to a particular pump model. *Italics are optional items.* ◆ Silicone oil/grease required.

[] Date of latest production change. *Review individual parts in each kit for material code information.

For additional technical information see www.catpumps.com/literature/tech-bulletins

MATERIAL CODES (Not Part of Part Number): ABS=ABS Plastic AL=Aluminum CC=Ceramic CM=Chrome-moly D=Acetal EPDM=Ethylene Propylene Diene Monomer
 FCM=Forged Chrome-moly FPM=Fluorocarbon HS=High Strength HT=High Temp (EPDM Alternative) IPFE=I-Perfluorelastomer NAB=Nickel Aluminum Bronze NBR=Medium Nitrile (Buna-N)
 PC=Poly Carbonate POP=Polypropylene PTFE=Pure Polytetrafluoroethylene PVDF=Polyvinylidene Fluoride S=304SS SFTA=Special Blend PTFE Tan SNG=Special Blend (Buna) SS=316SS
 SSZ=316SS/Zamak STL=Steel STCP=Steel/Chrome Plated STZP=Steel/Zinc Plated



Models 311, 317, 351, 357

⚠ CAUTIONS AND WARNINGS

All High-Pressure Systems require a primary pressure regulating device (i.e. regulator, unloader) and a secondary pressure relief device (i.e. pop-off valve, relief valve). Failure to install such relief devices could result in personal injury or damage to pump or property. Cat Pumps does not assume any liability or responsibility for the operation of a customer's high-pressure system.

Read all CAUTIONS and WARNINGS before commencing service or operation of any high-pressure system. The CAUTIONS and WARNINGS are included in each Service Manual and with each Accessory Data sheet. CAUTIONS and WARNINGS can also be viewed online at www.catpumps.com/cautions-warnings or can be requested directly from Cat Pumps.

WARRANTY

View the Limited Warranty on-line at www.catpumps.com/warranty.