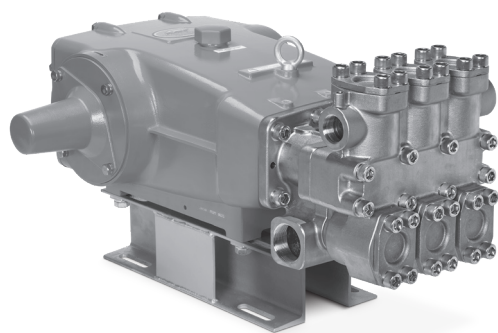


DATA SHEET

60 FRAME PLUNGER PUMP



**Nickel Aluminum
Bronze Model: 67070**



Model 67070 Shown
(Box rails and shaft protector included)

FEATURES

- Triplex plunger design ensures high efficiency and low pulsation.
- Special high-density, polished, concentric plungers provide a true wear surface and extended seal life.
- V-Packings and low-pressure seals are completely lubricated and cooled, greatly increasing service life.
- Low unswept volume maximizes volumetric efficiency, reducing energy costs and providing consistent flow.

SPECIFICATIONS	U.S.	Metric
Flow	50 gpm	189 lpm
Pressure Range	100–2000 psi	6.9–138 bar
Pump RPM*	653 rpm	653 rpm
Inlet Pressure Range	Flooded to 60 psi	Flooded to 4.1 bar
Max. Liquid Temperature	140° F	60° C
Above 130° F call Cat Pumps for inlet conditions and elastomer recommendations.		
Bore	1.772"	45 mm
Stroke	2.579"	65.5 mm
Crankcase Capacity	10 qts	9.46 l
Inlet Ports (2)	2" NPT(F)	2" NPT(F)
Discharge Ports (2)	1¼" NPT(F)	1¼" NPT(F)
Shaft Diameter	1.772"	45 mm
Pulley Mounting	Either Side	Either Side
Weight	339 lbs	154 kg
Dimensions	30.51 x 24.37 x 12.36"	775 x 619 x 314 mm

ALTERNATE INTERMITTENT DUTY CYCLE

SPECIFICATIONS	U.S.	Metric
Flow**	50 gpm	189 lpm
Pressure Range**	100–3000 psi	6.9–207 bar
Pump RPM*	653 rpm	653 rpm
Flow**	65 gpm	246 lpm
Pressure Range**	100–2000 psi	6.9–138 bar
Pump RPM*	850 rpm	850 rpm

*Pump minimum is 100 RPM.

**Intermittent duty only.

INTERMITTENT DUTY CYCLE DEFINED AS:

Operating pump at maximum rated flow and pressure for no more than 50% of the time in any given hour.

DETERMINING THE PUMP RPM	$\frac{\text{Rated gpm}}{\text{Rated rpm}}$	=	$\frac{\text{Desired gpm}}{\text{Desired rpm}}$
DETERMINING THE REQUIRED HP	$\frac{\text{hp}}{\text{(Electric Brake)}}$	=	$\frac{\text{gpm x psi}}{1460}$
DETERMINING MOTOR PULLEY SIZE	$\frac{\text{Motor Pulley OD}}{\text{Pump rpm}}$	=	$\frac{\text{Pump Pulley OD}}{\text{Motor rpm}}$

Refer to pump **Service Manual** for repair procedure and additional technical information.

PARTS LIST

ITEM	PART NUMBER	MATL	DESCRIPTION	QTY
5	89728	S	Screw, HH (M10 x 40) (See Tech Bulletin 074)	8
6	15847	S	Lockwasher (M10)	8
7	19934	S	Washer, Flat (M10)	8
8	29443	ALE	Covering, Bearing, Outer	2
10	29444	NBR	O-Ring, Bearing Cover-70D	2
11	11443	NBR	Seal, Oil, Crankshaft	2
12	126595	STCP R	Shim, Washer (M120 x 0.5)	0-2
13	126594	STCP R	Shim, Washer (M120 x 0.3)	0-2
15	29441	STL	Bearing, Roller	2
16	29442	STL	Covering, Bearing, Inner	2
17	29444	NBR	O-Ring, Bearing Cover-70D	2
20	126612	BBHS	Assembly, Connecting Rod (Includes 21) (See Tech Bulletin 074)	3
21	126560	STCP R	Washer, Locking	3
25	29440	FCM	Crankshaft, Dual End (M65.5)	1
32	43211	ABS	Cap, Oil Filler	1
33	14177	NBR	O-Ring, Oil Filler Cap-70D	1
34	126743	STCP R	Bolt, Eye (M12 x 1.75) (For Lifting Pump Only)	1
38	129343	NBR	Gasket, Flat, Oil Gauge	1
39	27769	ABS	Stick, Dip	1
40	89627	S	Screw, HH (M10 x 30) (See Tech Bulletin 074)	8
41	15847	S	Lockwasher (M10)	8
42	19934	S	Washer, Flat (M10)	8
48	25625	STCP	Plug, Drain (1/4" x 19 BSP)	1
49	23170	NBR	O-Ring, Drain Plug-70D	1
50	29438	ALE	Cover, Rear	1
51	129386	NBR	O-Ring, Rear Cover	1
53	133667	ALE	Crankcase Assembly (Includes: 34, 54) (See Tech Bulletin 074)	1
54	43282	S	Pin, Guide	2
64	29481	CM	Pin, Crosshead	3
65	133712	BBSS	Rod, Plunger	3
69	126588	STCP R	Washer, Oil Seal	3
70	133716	NBR	Seal, Oil, Crankcase	3
75	134488	SS	Slinger, Barrier	3
88	133719	SS	Washer, Keyhole	3
90	134489	CC	Plunger (M45 x 158)	3
95	134487	S	Stud, Plunger Retainer (M14 x 133)	3
96	20214	PTFE	Backup Ring, Plunger Retainer	3
97	17616	NBR	O-Ring, Plunger Retainer-80D	3
98	44751	SS	Gasket, Plunger Retainer	3
99	44750	SS	Retainer, Plunger (M14) (See Tech Bulletin 074)	3
100	855041	PVDF	Retainer, Seal, 2-Piece	3
101	45638	—	Wick (Long Tab)	3
106	134492	NBR	Seal, Low-Pressure, with SS-Spring	3
110	133482	NAB	Manifold, Inlet	1
112	12391	NBR	O-Ring, Inlet Spacer-70D	6
114	134498	BB	Spacer, Inlet	3
117	121511	S	Screw, HSH (M16 x 50) (See Tech Bulletin 074)	6
119	89959	S	Screw, HSH (M16 x 120) (See Tech Bulletin 074)	2
126	134494	PTFE	Adapter, Female	3
127	134495	SNG	V-Packing	6
128	134496	D	Adapter, Male	3
153	134506	D	Collar, Insert	3
155	15856	NBR	O-Ring, V-Packing Spacer-70D	6
156	23115	PTFE	Backup Ring, V-Packing Spacer	6
157	134497	BB	Spacer, V-Packing	3
160	44756	S	Pin, Guide	2
162	23115	PTFE	Backup Ring, Seat	6
163	15856	NBR	O-Ring, Seat-70D	6
164	134501	S	Seat	6
166	134503	S	Valve	6
167	134502	S	Spring	6
168	134504	PVDF	Retainer, Spring	6
170	44776	SS	Washer, Spring	6
171	134505	S	Spring, Coil	6
172	128857	NBR	O-Ring, Valve Plug-90D	6
174	133486	NAB	Plug, Valve	6
175	133744	S	Screw, HSH (M16 x 30) Valve Plug (See Tech Bulletin 074)	24
185	133484	NAB	Manifold, Discharge	1
188	89694	S	Screw, HSH (M16 x 110) (See Tech Bulletin 074)	8
250	29445	ALE	Protector, Shaft	1
255	33243	STZP	Mount, Direct	1
256	29649	STCP	Washer, Slant (M16) (To Shim and Align Mounting Bolts [Not Included] Through the Box Rail and Mounting Base)	4
259	126787	STZP	Rail, Box Assembly	1

R Components comply with RoHS Directive.

*Review material codes for individual items (SNG generally may be used as alternate). For additional technical information see www.catpumps.com/literature/tech-bulletins.

MATERIAL CODES (Not Part of Part Number): ABS=ABS Plastic ALE=Aluminum Epoxy BB=Brass BBSS=Brass/High Strength BBSS=Brass/Stainless Steel CC=Ceramic

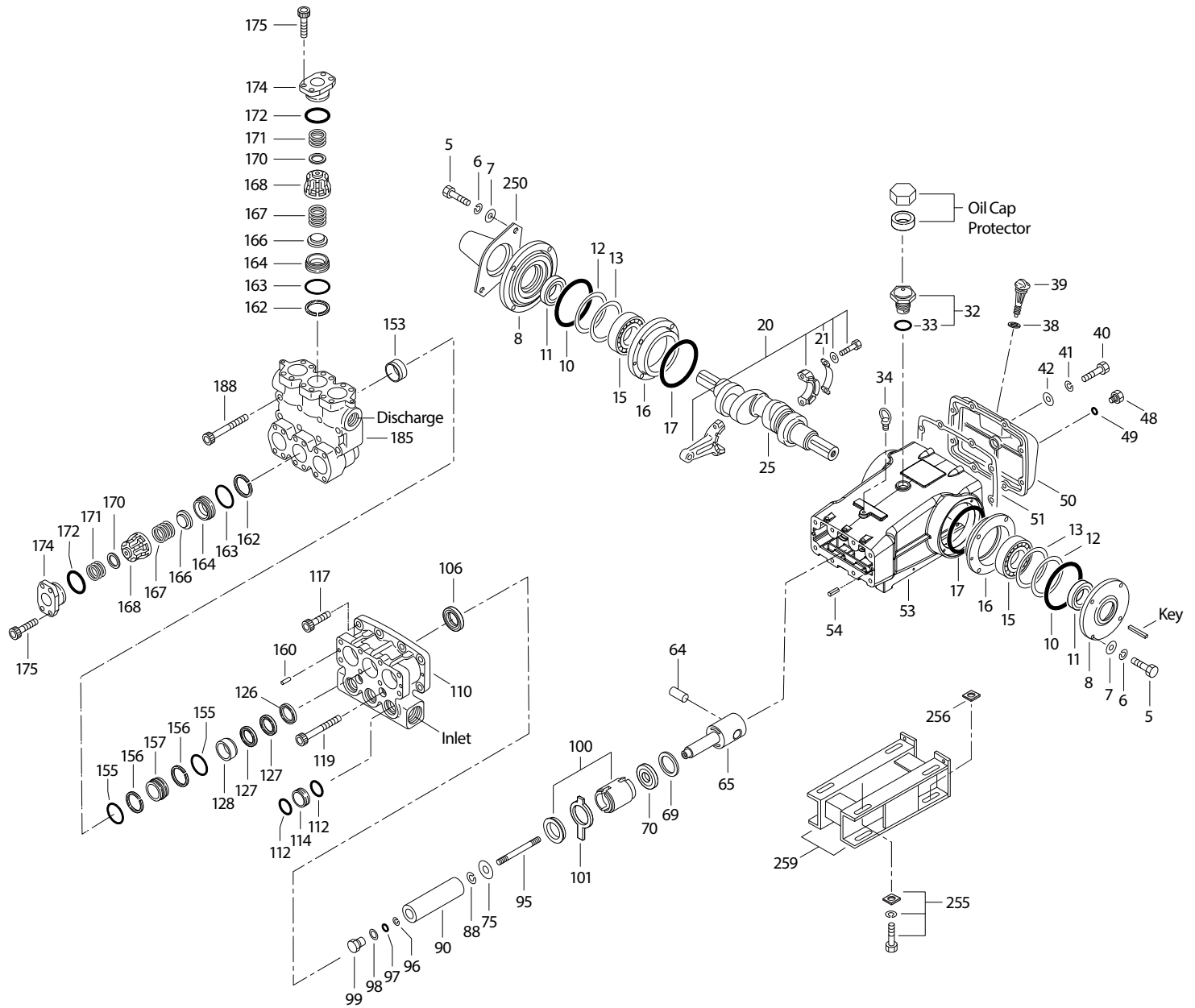
CM=Chrome-Moly D=Acetal FCM=Forged Chrome-moly NAB=Nickel Aluminum Bronze NBR=Medium Nitrile (Buna-N) PE=Polyethylene

PTFE=Pure Polytetrafluoroethylene PVDF=Polyvinylidene Fluoride S=304SS SS=316SS SNG=Special Blend Buna

STCP=Steel/Chrome Plated STL=Steel STZP=Steel/Zinc Plated

Optional Parts and Accessories and Service parts listed on Page 3. Standard Seal and Valve Kits listed on page 4.

EXPLODED VIEW



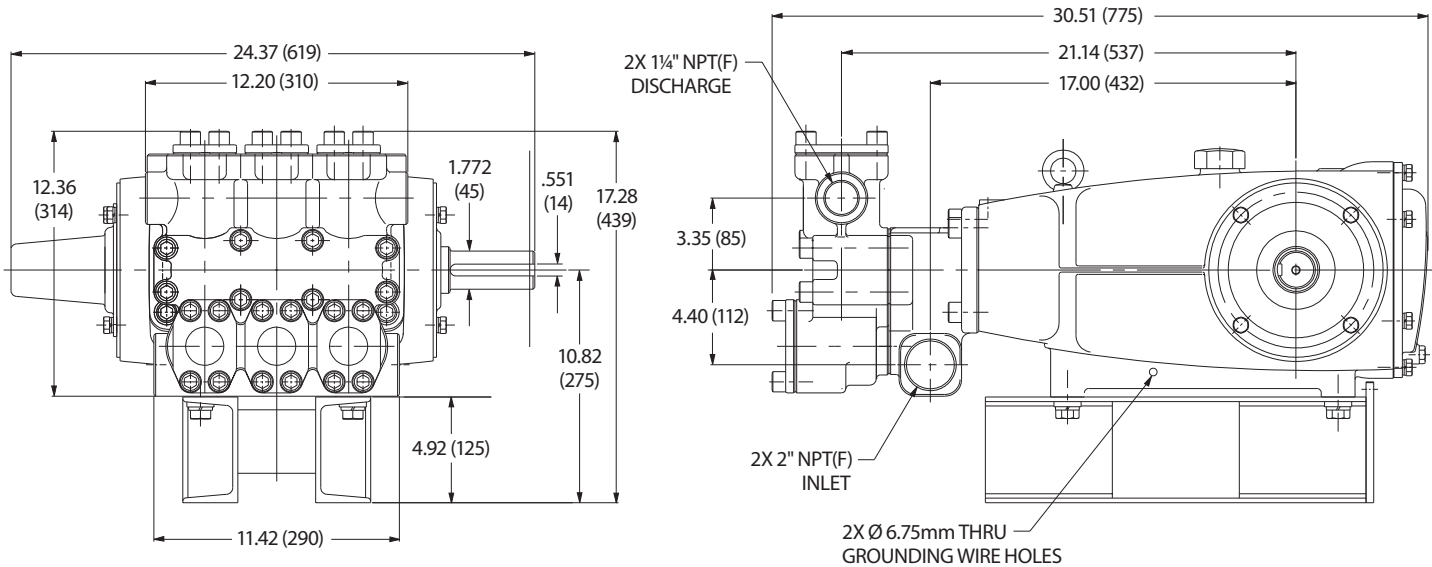
Models
Nickel Aluminum Bronze 67070
April 2022

OPTIONAL PARTS AND ACCESSORIES

PART	DESCRIPTION	QTY
43048	Key (M14 x 9 x 90)	1
828710	Protector, Oil Cap with Foam Gasket	1
990014	Hub, "B", 45 mm (Not Shown)	1
34314	Kit, Oil Drain (3/8" x 48") (Not Shown)	1
88902	Stud (M16 x 277) (For Removal of DM & IM) (Not Shown)	2

SERVICE PARTS

PART	DESCRIPTION	QTY
76452	Kit, Seal – Standard NBR	1
76454	Kit, Valve – Standard NBR	2
6102	Oil, Jug (2.5 gal) ISO – 68 Hydraulic (Fill to Specified Crankcase Capacity Prior to Start-up)	1
6124	Gasket, Liquid (3 oz)	1
6139	Lubricant, Anti-Seize (8 oz) (See Tech Bulletin 095)	1



SEAL KITS One (1) seal kit required per pump

PUMP MODEL	NBR (STD)
67070	76452*

ITEM (Included in Seal Kits)		DESCRIPTION	QTY
97	17616	O-Ring, Plunger Retainer	3
106	134492	Seal, Low-Pressure with SS-Spring	3
112	12391	O-Ring, Inlet Spacer	6
127	134495	V-Packing	6
155	133733	O-Ring, V-Packing Spacer	6
156	23115	Backup Ring, V-Packing Spacer	6

*Review material codes for individual items (SNG generally by be used as alternative)

VALVE KITS Two (2) valve kits required per pump

PUMP MODEL	NBR (STD)
67070	76454

ITEM (Included in Valve Kits)		DESCRIPTION	QTY
162	23115	Backup Ring, V-Packing Spacer	6
163	15856	O-Ring, Valve Seat	3
164	134501	Seat	3
166	134503	Valve	3
167	134502	Spring	3
168	134504	Retainer, Spring	3
170	44776	Washer, Spring	3
172	128857	O-Ring, Valve Plug	3

⚠ CAUTIONS AND WARNINGS

All high-pressure systems require a primary pressure regulating device (i.e. regulator, unloader) and a secondary pressure relief device (i.e. pop-off valve, relief valve). Failure to install such relief devices could result in personal injury or damage to pump or property. Cat Pumps does not assume any liability or responsibility for the operation of a customer's high-pressure system.

Read all CAUTIONS and WARNINGS before commencing service or operation of any high-pressure system. The CAUTIONS and WARNINGS are included in each Service Manual and with each Accessory Data sheet. CAUTIONS and WARNINGS can also be viewed online at www.catpumps.com/dynamic-literature/cautions-and-warnings or can be requested directly from Cat Pumps.

WARRANTY

View the Limited Warranty online at www.catpumps.com/literature/cat-pumps-limited-warranty