

DATA SHEET

60 FRAME PLUNGER PUMPS



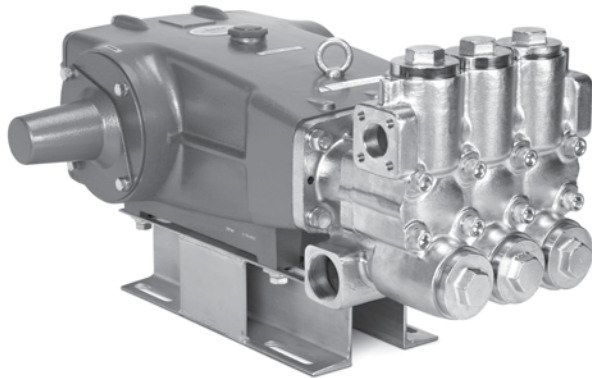
**Chrome
Plated**
6760

**Stainless
Steel**
6761

**Duplex
SS**
6762

**Nickel Aluminum
Bronze**
6767

**Nickel Aluminum
Bronze Flushed**
6767C



Model 6760 Shown
(Rails and shaft protector included)

SPECIFICATIONS

| | U.S. | Metric |
|--|------------------------|--------------------|
| Flow | 60 gpm | 227 lpm |
| Pressure Range | 100 to 1200 psi | 6.9 to 83 bar |
| Pump RPM* | 520 rpm | 520 rpm |
| Inlet Pressure Range | Flooded to 50 psi | Flooded to 3.5 bar |
| Max. Liquid Temperature | 140° F | 60° C |
| Above 130°F call Cat Pumps for inlet conditions and elastomer recommendations. | | |
| Bore | 2.165" | 55 mm |
| Stroke | 2.579" | 65.5 mm |
| Crankcase Capacity | 10 qts | 9.46 l |
| Inlet Ports (2) | 2" NPT(F) | 2" NPT(F) |
| Flushing Ports (2) (6767C) | 1/4" NPT(F) | 1/4" NPT(F) |
| Discharge Ports (2) | 1-1/4" NPT(F) | 1-1/4" NPT(F) |
| Shaft Diameter | 1.772" | 45 mm |
| Pulley Mounting | Either Side | Either Side |
| Weight | 335 lbs | 151.95 kg |
| Dimensions | | |
| 6760, 6767, 6767C | 31.14 x 24.37 x 17.87" | 791 x 619 x 454 mm |
| 6761, 6762 | 30.71 x 24.37 x 17.44" | 780 x 619 x 443 mm |

* Pump minimum is 100 RPM.

FEATURES

- Triplex plunger delivers high efficiency and low pulsation.
- Special ported inlet manifold permits an external flush liquid providing cooling for hi-temp liquids and lubrication for low lubricity liquids. (6767C model)
- Durable V-Packings are completely lubricated and cooled by pumped liquid.
- Pre-set low-pressure seals provide secondary protection against external leaks and require no packing adjustment.
- Special high-density, polished, concentric, ceramic plungers provide a true wear surface and extend seal life.
- Standard NBR seals with alternative options for temperature and chemical compatibility
 - FPM – .0110
 - EPDM – .0220

ELECTRIC HORSEPOWER REQUIREMENTS

| FLOW | | PRESSURE | | | RPM |
|-------------|-----|------------|-------------|-------------|-----|
| | | psi 900 | psi 1000 | psi 1200 | |
| U.S. gpm | lpm | bar 62 | bar 69 | bar 83 | |
| 60 | 227 | 37.1 | 41.2 | 49.4 | 520 |
| 50 | 189 | 30.9 | 34.3 | 41.2 | 433 |

| | | | |
|--|-------------------------------|---|--|
| DETERMINING THE PUMP R.P.M. | Rated gpm | = | "Desired" gpm |
| | Rated rpm | = | "Desired" rpm |
| DETERMINING THE REQUIRED H.P. | Hp (Electric Brake) | = | $\frac{\text{gpm} \times \text{psi}}{1460}$ |
| DETERMINING MOTOR PULLEY SIZE | Motor Pulley O.D. Pump rpm | = | $\frac{\text{Pump Pulley O.D.}}{\text{Motor rpm}}$ |

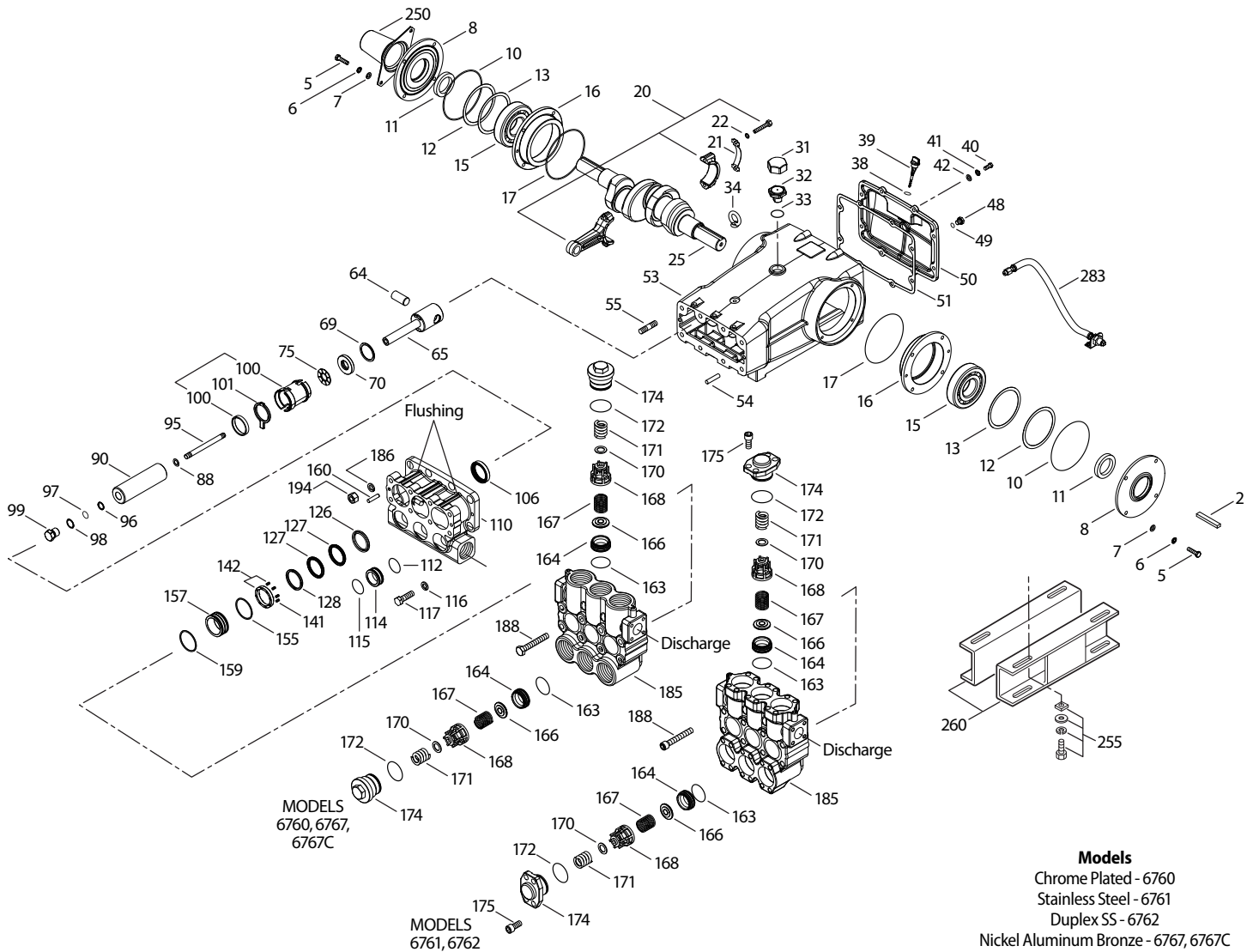
See complete Drive Packages [Includes: pulleys, belts, hubs, key] Tech Bulletin 003.
Refer to pump **Service Manual** for repair procedure and additional technical information.

PARTS LIST

| ITEM | PART NUMBER | | | | | | | | DESCRIPTION | QTY |
|------|---------------|-----------|---------------|-----------|---------------|-----------|---------------|-----------|--|-----|
| | 6760 | MATL | 6761 | MATL | 6762 | MATL | 6767/C | MATL | | |
| 2 | 43048 | STL | 43048 | STL | 43048 | STL | 43048 | STL | Key (M14x9x90) | 1 |
| 5 | 126532 | STCP R | 89728 | S | 89728 | S | 89728 | S | Screw, HH (M10 x 40) | 8 |
| 6 | 126231 | STCP R | — | — | — | — | — | — | Lockwasher (M10) | 8 |
| 7 | 126574 | STCP R | 19934 | S | 19934 | S | 19934 | S | Washer, Flat (M10) | 8 |
| 8 | 29443 | AL | 29443 | AL | 29443 | AL | 29443 | AL | Cover, Bearing, Outer (See Tech Bulletin 118) | 2 |
| 10 | 29444 | NBR | 29444 | NBR | 29444 | NBR | 29444 | NBR | O-Ring, Bearing Cover - 70D | 2 |
| 11 | 11443 | NBR | 11443 | NBR | 11443 | NBR | 11443 | NBR | Seal, Oil, Crankshaft - 70D | 2 |
| 12 | 126594 | STCP R | 126594 | STCP R | 126594 | STCP R | 126594 | STCP R | Washer, Shim (M120 x 0.3) | 0-2 |
| 13 | 126595 | STCP R | 126595 | STCP R | 126595 | STCP R | 126595 | STCP R | Washer, Shim (M120 x 0.5) | 0-2 |
| 15 | 29441 | STL | 29441 | STL | 29441 | STL | 29441 | STL | Bearing, Roller | 2 |
| 16 | 29442 | STL | 29442 | STL | 29442 | STL | 29442 | STL | Cover, Bearing, Inner | 2 |
| 17 | 29444 | NBR | 29444 | NBR | 29444 | NBR | 29444 | NBR | O-Ring, Bearing Cover - 70D | 2 |
| 20 | 126612 | BBHS | 126612 | BBHS | 126612 | BBHS | 126612 | BBHS | Rod, Connecting (Incls: 21, 22) | 3 |
| 21 | 126560 | STCP R | 126560 | STCP R | 126560 | STCP R | 126560 | STCP R | Washer, Locking | 3 |
| 22 | 126593 | STCP R | 126593 | STCP R | 126593 | STCP R | 126593 | STCP R | Washer, Shim (M10.5 x 1.5) | 6 |
| 25 | 29440 | FCM | 29440 | FCM | 29440 | FCM | 29440 | FCM | Crankshaft, Dual End | 1 |
| 31 | <i>828710</i> | <i>PE</i> | <i>828710</i> | <i>PE</i> | <i>828710</i> | <i>PE</i> | <i>828710</i> | <i>PE</i> | <i>Protector, Oil Cap w/Foam Gasket</i> | 1 |
| 32 | 43211 | ABS | 43211 | ABS | 43211 | ABS | 43211 | ABS | Cap, Oil Filler | 1 |
| 33 | 14177 | NBR | 14177 | NBR | 14177 | NBR | 14177 | NBR | O-Ring, Oil Filler Cap - 70D | 1 |
| 34 | 126743 | STCP R | 126743 | STCP R | 126743 | STCP R | 126743 | STCP R | Bolt, Eye (M12) (For Lifting Pump Only) | 1 |
| 38 | 129343 | RBR | 129343 | RBR | 129343 | RBR | 129343 | RBR | Gasket, Flat Flex | 1 |
| 39 | 27769 | ABS | 27769 | ABS | 27769 | ABS | 27769 | ABS | Stick, Dip | 1 |
| 40 | 126531 | STCP R | 89627 | S | 89627 | S | 89627 | S | Screw, HH (M10 x 30) | 8 |
| 41 | 126231 | STCP R | 15847 | S | 15847 | S | 15847 | S | Lockwasher (M10) | 8 |
| 42 | 126574 | STZP R | 19934 | S | 19934 | S | 19934 | S | Washer, Flat (M10) | 8 |
| 48 | 25625 | STCP | 25625 | STCP | 25625 | STCP | 25625 | STCP | Plug, Drain (1/4 x 19BSP) | 1 |
| 49 | 23170 | NBR | 23170 | NBR | 23170 | NBR | 23170 | NBR | O-Ring, Drain Plug - 70D | 1 |
| 50 | 29438 | AL | 29438 | AL | 29438 | AL | 29438 | AL | Cover, Rear (See Tech Bulletin 118) | 1 |
| 51 | 129386 | NBR | 129386 | NBR | 129386 | NBR | 129386 | NBR | Gasket, Rear Cover | 1 |
| 53 | 45303 | AL | 45303 | AL | 45303 | AL | 45303 | AL | Crankcase w/Guide Pins (Incls: 34, 54) (See Tech Bulletin 118) | 1 |
| 54 | 43282 | S | 43282 | S | 43282 | S | 43282 | S | Pin, Guide | 2 |
| 55 | 126553 | STCP R | 89615 | S | 89615 | S | 89615 | S | Stud (M16 x 70) | 2 |
| 64 | 29481 | CM | 29481 | CM | 29481 | CM | 29481 | CM | Pin, Crosshead | 3 |
| 65 | †45384 | SSZZ | 45384 | SSZZ | 45384 | SSZZ | 45384 | SSZZ | Rod, Plunger | 3 |
| 69 | 126588 | STCP R | 126588 | STCP R | 126588 | STCP R | 126588 | STCP R | Washer, Oil Seal | 3 |
| 70 | 29454 | NBR | 29454 | NBR | 29454 | NBR | 29454 | NBR | Seal, Oil - 80D | 3 |
| 75 | 44752 | NBR | 44752 | NBR | 44752 | NBR | 44752 | NBR | Slinger, Barrier - 85D | 3 |
| 88 | 45677 | SS | 45677 | SS | 45677 | SS | 45677 | SS | Washers, Keyhole (M14) | 3 |
| 90 | 44749 | CC | 44749 | CC | 44749 | CC | 44749 | CC | Plunger (M55 x 185) | 3 |
| 95 | 89783 | S | 44748 | SS | 44748 | SS | 44748 | SS | Stud, Plunger Retainer (M14 x 147) | 3 |
| 96 | 20214 | PTFE | 20214 | PTFE | 20214 | PTFE | 20214 | PTFE | Back-up-Ring, Plunger Retainer | 3 |
| 97 | 17616 | NBR | 17616 | NBR | 17616 | NBR | 17616 | NBR | O-Ring, Plunger Retainer - 80D | 3 |
| 98 | 44751 | SS | 44751 | SS | 44751 | SS | 44751 | SS | Gasket, Plunger Retainer | 3 |
| 99 | 45276 | S | 44750 | SS | 48959 | SSD | 44750 | SS | Retainer, Plunger (M14) | 3 |
| 100 | 855000 | PVDF | 855000 | PVDF | 855000 | PVDF | 855000 | PVDF | Retainer, Seal, 2-pc | 3 |
| 101 | 44762 | — | 44762 | — | 44762 | — | 44762 | — | Wick, Long Tab (M55 x 185) | 3 |
| 106 | 44757 | NBR | 44757 | NBR | 44757 | NBR | 44757 | NBR | Seal, LPS w/SS-Spg | 3 |
| 110 | 49457 | NABC | 45769 | SS | 48980 | SSD | 44754 | NAB | Manifold, Inlet | 1 |
| | — | — | — | — | — | — | 49305 | NAB | Manifold, Inlet, Flushed (1/4" Flush Ports) | 1 |
| 112 | 18175 | NBR | 18175 | NBR | 18175 | NBR | 18175 | NBR | O-Ring, Spacer, Inner - 80D | 3 |
| 114 | †44767 | SS | 44767 | SS | 48957 | SSD | 44767 | SS | Spacer, Inlet Manifold | 3 |
| 115 | 18175 | NBR | 18175 | NBR | 18175 | NBR | 18175 | NBR | O-Ring, Spacer, Outer - 80D | 3 |
| 116 | 126569 | STCP R | 19086 | S | 19086 | S | 19086 | S | Lockwasher (M16) | 4 |
| 117 | 126537 | STCP R | 89729 | S | 89729 | S | 89729 | S | Screw, HH (M16 x 55) | 4 |
| 126 | 48392 | D | 48392 | D | 48392 | D | 48392 | D | Adapter, Female (See Tech Bulletin 087) | 3 |
| | 45771 | SS | 45771 | SS | 45771 | SS | 45771 | SS | Adapter, Female | 3 |
| 127 | 44764 | STG* | 44764 | STG* | 44764 | STG* | 44764 | STG* | V-Packing | 6 |
| 128 | †45772 | SS | 45772 | SS | 48962 | SSD | 45772 | SS | Adapter, Male | 3 |
| 141 | 44943 | SS | 44943 | SS | 44943 | SS | 44943 | SS | Coil Spring, Spacer | 24 |
| 142 | 48501 | BB | 45383 | SS | 48982 | SSD | 45383 | SS | Spacer w/Coil Springs | 3 |
| 155 | 18178 | NBR | 18178 | NBR | 18178 | NBR | 18178 | NBR | O-Ring, Spacer - 80D | 3 |
| 157 | †45321 | SS | 45321 | SS | 48961 | SSD | 45321 | SS | Spacer, V-Packing | 3 |
| 159 | 18178 | NBR | 18178 | NBR | 18178 | NBR | 18178 | NBR | O-Ring, Spacer - 80D | 3 |
| 160 | 44756 | S | 44756 | S | 44756 | S | 44756 | S | Pin, Guide | 2 |
| 163 | 18176 | NBR | 18176 | NBR | 18176 | NBR | 18176 | NBR | O-Ring, Seat - 80D | 6 |
| 164 | †44772 | SS | 44772 | SS | 48964 | SSD | 44772 | SS | Seat | 6 |
| 166 | †44774 | SS | 44774 | SS | 48958 | SSD | 44774 | SS | Valve | 6 |
| 167 | 44773 | SS | 44773 | SS | 44773 | SS | 44773 | SS | Spring | 6 |
| 168 | 44775 | PVDF | 44775 | PVDF | 44775 | PVDF | 44775 | PVDF | Retainer, Spring | 6 |
| 170 | †44776 | SS | 44776 | SS | 48956 | SSD | 44776 | SS | Washer, Retainer | 6 |
| 171 | 44780 | SS | 44780 | SS | 44780 | SS | 44780 | SS | Spring, Coil, Valve Plug | 6 |
| 172 | 18177 | NBR | 18177 | NBR | 18177 | NBR | 18177 | NBR | O-Ring, Valve Plug - 80D | 6 |
| 174 | 49461 | NABC | 48572 | SSD | 48572 | SSD | 44778 | NAB | Plug, Valve [3/00] | 6 |

Standard and Optional Seal Kits, Valve Kits, Optional Parts and Accessories and Service Parts are listed on page 4.

EXPLODED VIEW

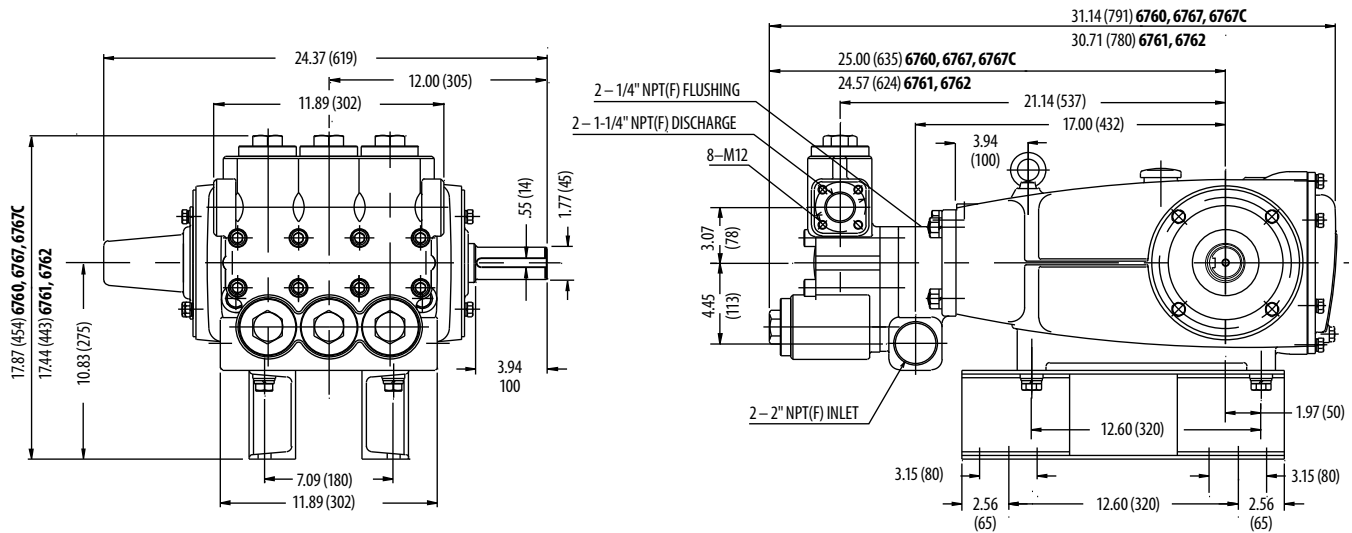


Models
 Chrome Plated - 6760
 Stainless Steel - 6761
 Duplex SS - 6762
 Nickel Aluminum Bronze - 6767, 6767C
 September 2016

| ITEM | PART NUMBER | | | | | | | | DESCRIPTION | QTY |
|------|---------------|--------|---------------|--------|---------------|--------|-----------------|--------|---|-----|
| | 6760 | MATL | 6761 | MATL | 6762 | MATL | 6767/C | MATL | | |
| 175 | — | — | 48573 | S | 48573 | S | — | — | Screw, HSH (M16x35) [3/00] | 24 |
| 185 | 49459 | NABC | 48489 | SS | 48984 | SSD | 44769 | NAB | Manifold, Discharge [3/00] | 1 |
| 186 | 126569 | STCR R | 19086 | S | 19086 | S | 19086 | S | Lockwasher (M16) | 2 |
| 188 | 126744 | STCP R | 89694 | S | 89694 | S | 89694 | S | Screw, HSH (M16 x 110) | 8 |
| 194 | 126525 | STCP R | 81291 | S | 81291 | S | 81291 | S | Nut, Hex (M16) | 2 |
| 250 | 29445 | AL | 29445 | AL | 29445 | AL | 29445 | AL | Protector, Shaft (Included w/pump) (See Tech Bulletin 118) | 1 |
| 255 | 33243 | — | 33243 | — | 33243 | — | 33243 | — | Kit, Mount (Included w/Pump) | 1 |
| 259 | 126604 | STCP R | 126604 | STCP R | 126604 | STCP R | 126604 | STCP R | Rail (Included w/Pump) (Two per pump required) | 2 |
| 279 | 30429 | STZP | 30429 | STZP | 30429 | STZP | 30429 | STZP | Oiler (10 oz.) (Not Shown) | 3 |
| 283 | 34314 | — | 34314 | — | 34314 | — | 34314 | — | Kit, Oil Drain | 1 |
| 290 | 6124 | — | 6124 | — | 6124 | — | 6124 | — | Gasket, Liquid (3.0 oz.) | 1 |
| 299 | 816760 | NABC | 816667 | SS | 816865 | SSD | 814820** | NAB | Head, Complete (Models 6760, 6761, 6762 and 6767 only) | 1 |
| 300 | 34091 | NBR* | 34091 | NBR* | 34091 | NBR* | 34091 | NBR* | Kit, Seal (Incls: 97,106,112,115,127,155,159) Standard | 1 |
| 310 | †34092 | NBR | 34092 | NBR | 39400 | NBR | 34092 | NBR | Kit, Valve (Incls: 163,164,166,167,168,170,172) Standard | 2 |
| — | 819010 | F | 819010 | F | 819010 | F | 819010 | F | Assy, Crankcase, Cast Iron Conversion | 1 |
| — | 88902 | STCP | 88902 | STCP | 88902 | STCP | 88902 | STCP | Stud (M16x277) (For removing D.M., I.M.) | 2 |
| — | 6105 | — | 6105 | — | 6105 | — | 6105 | — | Oil, Twin Pack (Two 2.5 Gal) ISO 68 Hydraulic (Fill to specified crankcase capacity prior to start-up) | 1 |
| — | — | — | 6119 | — | 6119 | — | — | — | Lubricant, Antiseize (2 oz.) (See Tech Bulletin 095) | 1 |

Standard and Optional Seal Kits, Valve Kits, Optional Parts and Accessories and Service Parts are listed on page 4.

Bold print part numbers are unique to a particular pump model. Italics are optional items. [] Date of latest production change. † Production parts 304SS, replacement parts are 316SS.
 R Components comply with RoHS Directive. *Review material codes for individual items (STG generally may be used as alternate). **Complete head for model 6767 only.
 See Tech Bulletins 003, 024, 036, 043, 052, 053, 074, 082, 083, 084, 087, 095, 105 and 118 for additional information.
 MATERIAL CODES (Not Part of Part Number): ABS=ABS Plastic AL=Aluminum BB=Brass BBHS=Brass/High Strength CC=Ceramic CM=Chrome-Moly D=Acetal F=Cast Iron
 FCM=Forged Chrome-moly FPM=Fluorocarbon NAB=Nickel Aluminum Bronze NABC=Nickel Aluminum Bronze Chrome Plated NBR=Medium Nitrile (Buna-N)
 PE=Polyethylene PTFE=Pure Polytetrafluoroethylene PVDF=Polyvinylidene Fluoride S=304SS SS=316SS SSD=Duplex SS SSSZ=316SS/Zamak STCP=Steel/Chrome Plated
 STG=Special Blend PTFE White STL=Steel STZP=Steel/Zinc Plated



SEAL KITS

| PUMP MODELS | NBR (STD) | FPM (0.0110) | EPDM (0.0220)◆ |
|-------------------------------|-----------|--------------|----------------|
| 6760, 6761, 6762, 6767, 6767C | 34091 | 34093 | 76091 |

| ITEM (Included in Seal Kits) | PART NUMBER | DESCRIPTION | QTY |
|------------------------------|-------------|----------------------------|-----|
| 97 | 17616 | O-Ring, Plunger Retainer | 3 |
| 106 | 44757 | Seal, LPS w/SS-Spg | 3 |
| 112, 115 | 18175 | O-Ring, Inner/Outer Spacer | 3/3 |
| 127 | 44764 | V-Packing | 6 |
| 155, 159 | 18178 | O-Ring, Spacer | 3/3 |

Note: One (1) seal kit required per pump

◆ Silicone Oil/Grease required

VALVE KITS

| PUMP MODELS | NBR (STD) | FPM (0.0110) | EPDM (0.0220)◆ |
|-------------------------|-----------|--------------|----------------|
| 6760, 6761, 6767, 6767C | 34092 | 31273 | 76092 |
| 6762 | 39400 | — | — |

| ITEM (Included in Valve Kits) | PART NUMBER | DESCRIPTION | QTY |
|-------------------------------|-------------|-------------------------|-----|
| 163 | 18176 | O-Ring, Seat | 3 |
| 164 | 44772 | Seat | 3 |
| 164 | 48964 | Seat (6762) | 3 |
| 166 | 44774 | Valve | 3 |
| 166 | 48958 | Valve (6762) | 3 |
| 167 | 44773 | Spring | 3 |
| 168 | 44775 | Retainer, Spring | 3 |
| 170 | 44776 | Washer, Retainer | 3 |
| 170 | 48956 | Washer, Retainer (6762) | 3 |
| 172 | 18177 | O-Ring, Valve Plug | 3 |

Note: Two (2) valve kits required per pump

◆ Silicone Oil/Grease required

CAUTIONS AND WARNINGS

All High Pressure Systems require a primary pressure regulating device (i.e. regulator, unloader) and a secondary pressure relief device (i.e. pop-off valve, relief valve). Failure to install such relief devices could result in personal injury or damage to pump or property. Cat Pumps does not assume any liability or responsibility for the operation of a customer's high pressure system.

Read all CAUTIONS and WARNINGS before commencing service or operation of any high pressure system. The CAUTIONS and WARNINGS are included in each service manual and with each Accessory Data sheet. CAUTIONS and WARNINGS can also be viewed online at www.catpumps.com/cautions-warnings or can be requested directly from Cat Pumps.

WARRANTY

View the Limited Warranty on-line at www.catpumps.com/warranty.



CAT PUMPS

1681 - 94TH LANE N.E. MINNEAPOLIS, MN 55449-4324
 PHONE (763) 780-5440 — FAX (763) 780-2958
 e-mail: techsupport@catpumps.com
www.catpumps.com