

HIGH PRESSURE UNIT



Unit for commercial use

This unit was designed especially for the commercial and industrial use. The typical application is vehicle pre cleaning in car wash installations. The High Pressure aggregate is compact designed and with it's integrated control box ready for immediate start up. CAT PUMPS are designed for use with reclaim water.

High Pressure Pump

- Pump head corrosion-resistant brass (300, 310, 340, 350 chrome plated)
- Plunger solid ceramic
- Stainless steel valves, seats and springs
- Specially formulated seals
- Integrated leakage refeed
- Low noise operation
- Cast aluminium crankcase
- Forged chrome-moly crankshaft
- Easy maintenance design

Equipment

- Three-phase standard motor
- Regulating unloader
- Pressure gauge
- Flow switch (for pump control and dry run protection)
- Motor protection switch
- Operating hours counter
- Base plate
- 3 m cable with 16 Ampere CEE norm connector
- Control box suitable for wall mounting

Description

With a decrease of pressure (trigger of gun is pulled) the unit will switch on automatically. If the gun is being shut off the pump unit will turn off time delayed after 3-30 seconds (adjustable) and will be on standby. The unit restarts immediately after the trigger of the gun is pulled again. In case of interruption of the water supply the unit does not start to prevent a dry run of the pump (does not apply for units with the "without primary pressure" option).

Options

1. Operation without inlet pressure
2. Metering pump

Specifications

Model	Flow rate l/min	Pressure bar	RPM min ⁻¹	Max. water temperature °C	Motor power kW
300	10	150	1450	70	4
310	15	150	970	70	4
340	13	150	1450	70	4
350	15	150	1450	70	4
5CP3120	15	200	1450	70	5,5
5CP5120	19	150	1450	70	5,5
5CP6120	23	110	1450	70	5,5
5CP6190	31	90	1450	70	5,5
5CP6190	21	100	970	70	4
5CP4120	14	200	1450	70	5,5
5CP5140	20	140	1450	70	5,5
7CP6170	27	100	970	70	5,5

Dimensions

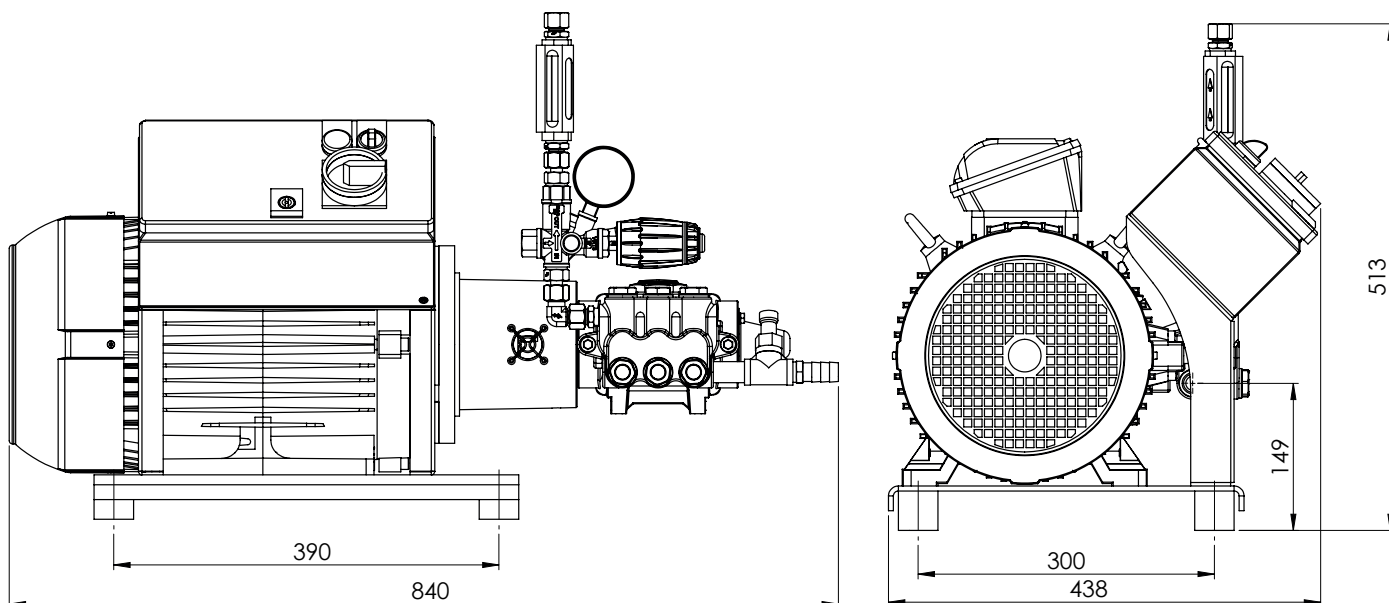


Illustration Model 310



CAT PUMPS DEUTSCHLAND GMBH
 BUCHWIESE 2-4, 65510 IDSTEIN - DEUTSCHLAND
 TEL. (049) 6126-9303-0 — FAX (049) 6126-9303-33
 E-Mail: info@catpumps.de
 www.catpumps.de